

FE2owlet

for single phase alternating current, 4 pole

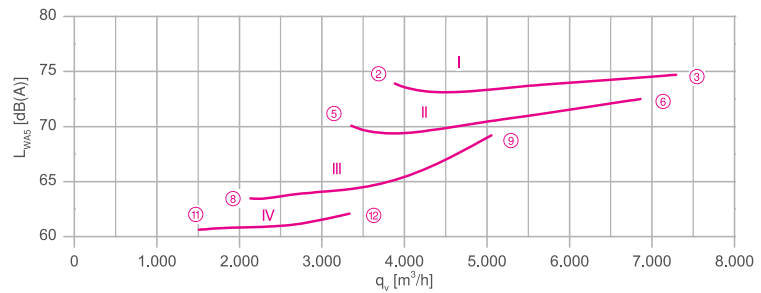
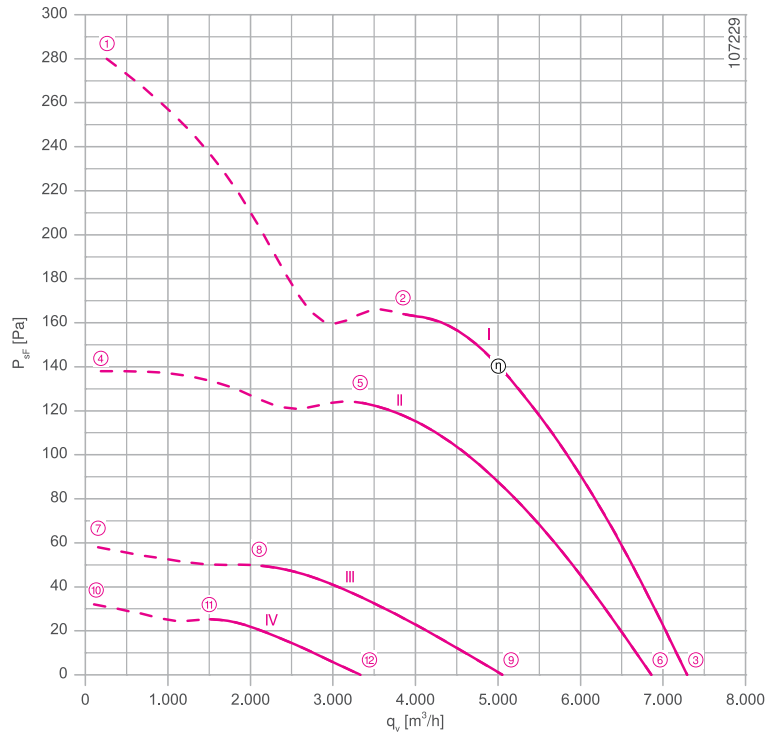
FNO45-4E



Description

Motor technology: AC
 Rated voltage U_N : 1~ 230 V±10 %*
 Rated frequency f_N : 50 Hz*
 Input power P_i : 0.60 kW*
 Rated current I_N : 2.90 A*
 Rated speed n_N : 1390 min⁻¹*
 Starting current I_s : 6.50 A
 Current increase ΔI : 25 %
 Service capacitor C_{400V} : 14.0 µF
 Thermal class: **THCL155***
 Min. permitted ambient temperature $t_{R(min)}$: -25 °C
 Max. permitted ambient temperature $t_{R(max)}$: 70 °C
 Electrical connection: Terminal box
 Number of blades: 7
 Protection class: IP54
 Motor protection: thermal contact
 Blades: Aluminium, uncoated
 Rotor: Aluminium, uncoated
 Conformity: ErP 2015, CE
ErP-data
 Efficiency η_{statA} : 34.0 %
 Efficiency: $N_{actual} = 41.8 / N_{target} = 40^{**}$
 * Rated data
 **ErP 2015

Characteristic curve



Measured in full bell mouth without guard grille in installation type A according to ISO 5801

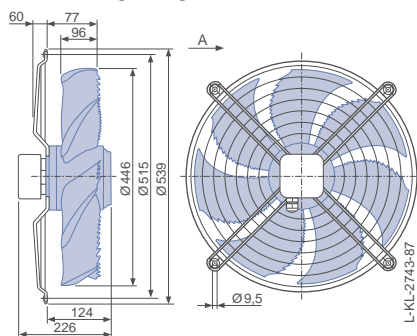
Connection diagram Page 531
 for airflow direction A 1360-104XB
 for airflow direction V 1360-104XA

System components Page 430

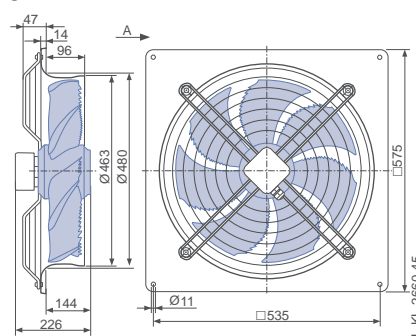
Dimensions mm

Airflow direction A

Design W - axial bolted, mounting for short bell mouth, guard grille suction side

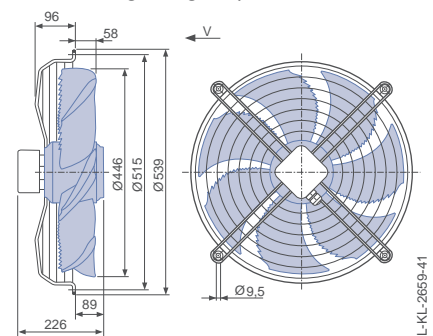


Design Q - square full bell mouth, guard grille suction side



Airflow direction V

Design K - axial bolted, mounted for short bell mouth, guard grille pressure side



Performance data

Type	Characteristic curve	Voltage	Operating point	Current	Input power	Speed	Suction side sound power level L_{WA5} dB(A)
		U V		I A	P_1 W	n min ⁻¹	
FN045-4E_4I_7P1	I	230	①	3.50	740	1350	
		230*	②	2.90*	600*	1390*	74
		230	③	2.40	500	1420	75
	II	170	④	4.40	620	940	
		170	⑤	3.50	540	1200	70
		170	⑥	2.70	420	1330	73
	III	135	⑦	3.70	390	610	
		135	⑧	3.50	390	760	64
		135	⑨	3.30	370	980	69
	IV	110	⑩	3.00	250	450	
		110	⑪	2.90	250	530	61
		110	⑫	2.90	250	650	62

*rated data

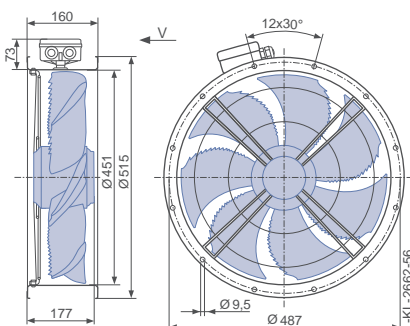
Fan ordering information

Design	Airflow direction A		Airflow direction V		
	W (guard grille suction side)	Q (guard grille suction side)	K (guard grille pressure side)	F (without guard grille)	Q (guard grille pressure side)
Type	FN045-4EW.4I.A7P1	FN045-4EQ.4I.A7P1	FN045-4EK.4I.V7P1	FN045-4EF.4I.V7P1	FN045-4EQ.4I.V7P1
Article no.	167870	167871	167804	167872	167874
Weight kg	12.60	16.20	12.60	15.70	16.30

Control technology

<p>Frequency inverters Fcontrol 1~</p> <p>Page 474</p>	<p>Motor protection units 1~</p> <p>Page 518</p>	<p>Electronic voltage controllers 1~</p> <p>Page 492</p>
--	--	--

Design F - flange ring with two flanges, without guard grille



Design Q - square full bell mouth, guard grille pressure side

