

Electronic voltage controllers

1~ speed controller with rotary knob



These devices for continuous speed control of one or more voltage-controlled 1~ fans have a knob installed at the front. This knob sets the desired speed. The speed controller starts with maximum output voltage for safe start-up of the fan.

An integrated operating indicator lamp shows the operating state of the speed controller.

Versions up to 4 Ampere:

Integrated switch function with the knob. One switched output for max. 1 Ampere.

Versions 6 and 10 Ampere:

Side integrated switch. One switched output for max. 6 Ampere.

Information

Motor protection

Fcontrol, lcontrol

UNicon

Acontrol, Ucontrol, Dcontrol

Transformer

System components

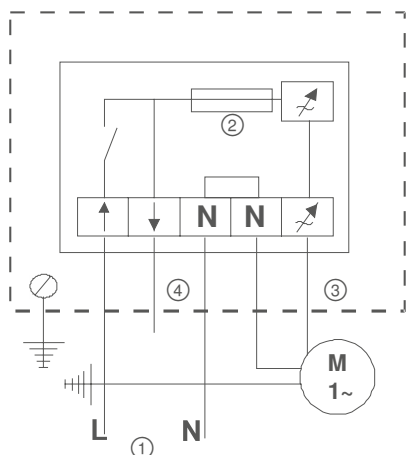
Appendix

Acontrol, function temperature controller with display and bypass main switch 1~ 230V 50/60Hz

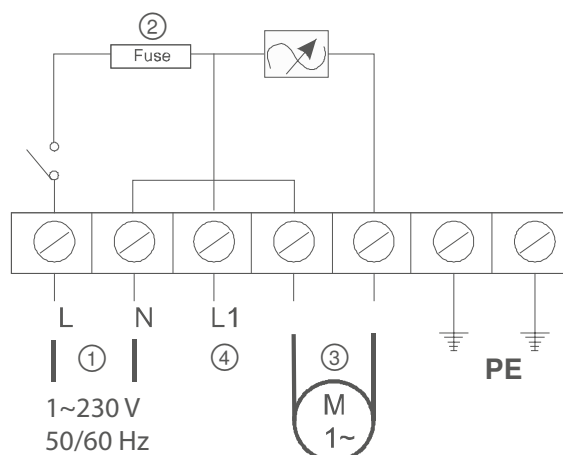
Type	Article no.	Rated current A	Rated temperature °C	Maximum ambient temperature °C	Protection class	Weight kg	Dimensions (W x H x D) mm
P-E-1	303586	1	35	35	IP54 / IP44	0.24	82 x 82 x 65
P-E-2.5	303587	2.5	35	35	IP54	0.18	82 x 82 x 65
P-E-4	303588	4	35	35		0.36	82 x 82 x 65
P-E-6	303589	6	35	35		0.68	127 x 202 x 96
P-E-10	303590	10	35	35		0.74	127 x 202 x 96

Connection diagram

P-E-1...4



P-E-6/10



- ① Mains connection: 1~230 V, 50/60 Hz
- ② Built-in fuse
- ③ Controlled output to the motor
- ④ Uncontrolled output 230 V, or bridging of the ON/OFF contact